



# Vibes Agriwarehouse - Rodent Presence

## FEATURES

Rodent motion sensor detect the presence of Rodents activity The device is small and can placed for detecting different types of the target. These are placed at strategic places to detect rodent activity

## TECHNICAL SPECIFICATION

Vibes - Rodent Presence	
Power Supply	USB Powered (Type - C) / 24V DC
Processor	32-bit 144 MHZ ARM Cortex M4F processor
Connectivity	Wired - RS485, Wi-Fi - HTTP / MQTT / any other
Antenna	Internal antenna with 2.5 DBI max gain
Operating temperature	-40°C ~ +85°C
Ingress Protection	IP 54
Sensors Specification	
Sensing Distance	5m (Ultrasonic)
PIR	5m (PIR)



## Firmware & Wireless Communication Features:

- Transmit the value either wired and wirelessly through RS485 and HTTP/MQTT endpoint.
- Firmware can be updated for HTTP/MQTT Endpoints on Azure /AWS or as required by OEM.
- Firmware can be also modified remotely via FOTA.
- Configurable through App to wireless network of your choice assigning network credentials requiring both username and password.
- Configure Endpoint Server Credentials through App
- Instantaneous values and Device performance can be monitored by App by force logging to the device.

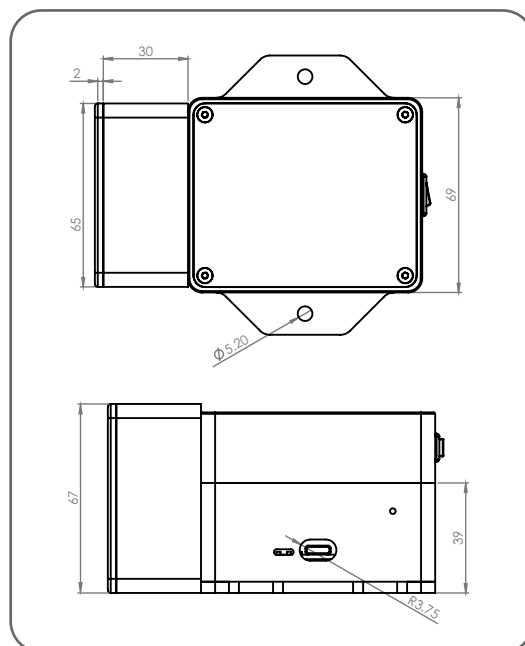
## Vibes Configurator App

**Data View**

**If Used on Wi-Fi**

**If Used on RS-485**

## DIMENSION DETAILS



Specifications are subject to change without Prior notice