



# Vibes Agriwarehouse - Fire/Smoke

## FEATURES

A Pair of Door Lock Sensor ensure door being open only on permission and closed during fumigation. Flame & Smoke Detector ensure safety.

## TECHNICAL SPECIFICATION

Vibes - Fire/Smoke	
Power Supply	USB Powered (Type - C) / 24V DC
Processor	32-bit 144 MHZ ARM Cortex M4F processor
Connectivity	Wired - RS485, Wi-Fi - HTTP / MQTT / any other
Antenna	Internal antenna with 2.5 DBI max gain
Operating temperature	-40°C ~ +85°C
Ingress Protection	IP 54



## Firmware & Wireless Communication Features:

- Transmit the value either wired and wirelessly through RS485 and HTTP/MQTT endpoint.
- Firmware can be updated for HTTP/MQTT Endpoints on Azure /AWS or as required by OEM.
- Firmware can be also modified remotely via FOTA.
- Configurable through App to wireless network of your choice assigning network credentials requiring both username and password.
- Configure Endpoint Server Credentials through App
- Instantaneous values and Device performance can be monitored by App by force logging to the device.

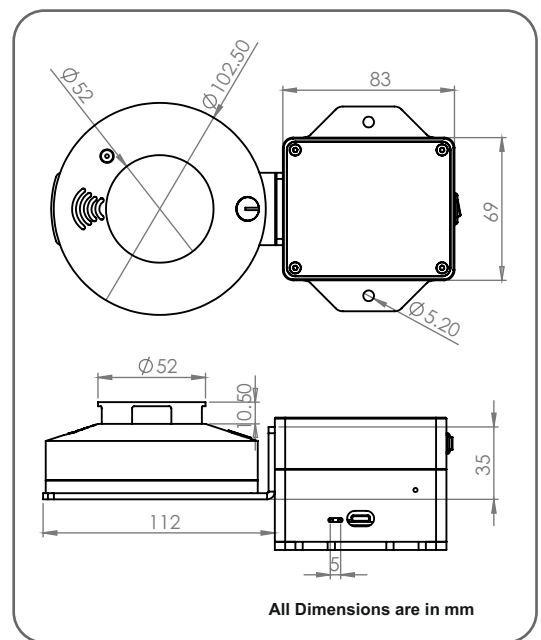
## Vibes Configurator App

## DIMENSION DETAILS

**Data View**

**If Used on Wi-Fi**

**If Used on RS-485**



Specifications are subject to change without Prior notice