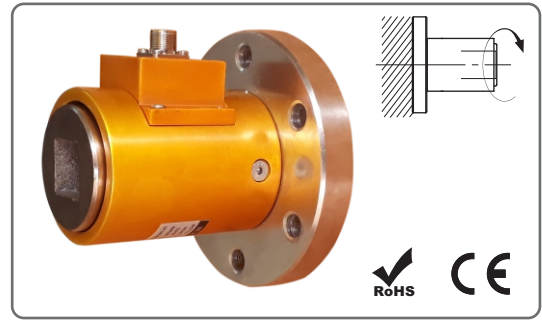


NON - ROTARY TORQUE TRANSDUCER

FEATURES

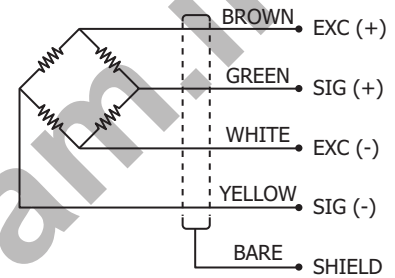
- Nominal torque from 2Nm ... 2000 Nm
- With flange and standard inside square end
- Very short axial length
- High torsional stiffness
- Reliable and durable
- Simple handling and assembly
- Special versions on request



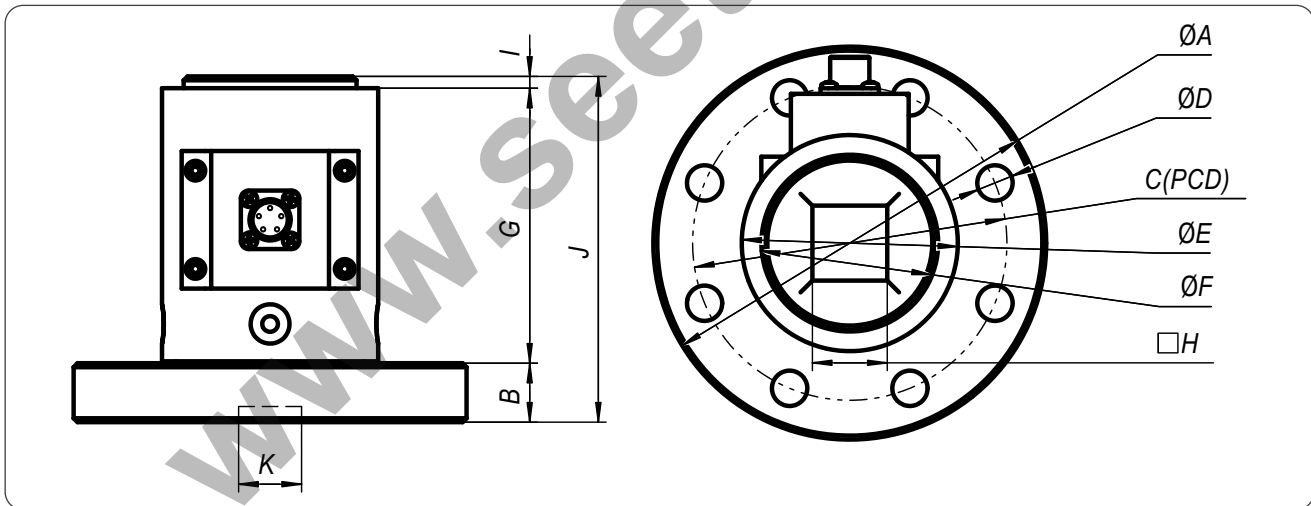
TECHNICAL SPECIFICATION

Model	STFS-W
Rated capacity (R.C.)	2Nm ~ 2000Nm
Rated output (R.O.)	1mV/V ±1%
Non-linearity	0.3% (0.1kgf-m under 0.5% R.O.)
Hysteresis	0.3% (0.1kgf-m under 0.5% R.O.)
Terminal resistance, input	350Ω±1%
Terminal resistance, output	350Ω±1%
Insulation resistance	2000MΩ
Temp. effect on zero balance	±0.1%R.O./10°C
Temp. effect on rated output	±0.1%Load/10°C
Excitation recommended	10V DC
Safe overload	120% R.C.
Cable length	Ø5.5 4core cable, 3m

WIRING INFORMATION



DIMENSION DETAILS



DIMENSION TABLE

Unit : mm											
Capacity	ØA	B	C(PCD)	ØD	ØE	ØF	G	H	I	J	K
2, 5, 10 Nm	70	10	50	5.5 x 4 Holes	30	22	48	SQ1/4"-8DP	3	61	Ø20-3DP
20, 50 Nm	70	10	50	5.5 x 4 Holes	30	22	48	SQ3/8"-11.5DP	3	61	Ø20-3DP
100, 200 Nm	80	12	60	6.6 x 4 Holes	45	29.8	60	SQ1/2"-16DP	3	75	Ø20-3DP
500 Nm	100	15	80	9 x 6 Holes	55	45	70	SQ3/4"-24DP	3	88	Ø20-3DP
1000 Nm	120	15	100	11 x 8 Holes	64	54	74	SQ1"-28.6DP	5	94	Ø20-3DP
2000 Nm	145	20	120	13 x 8 Holes	86	76	99.5	SQ1 1/2"-41.5DP	5	124.5	Ø20-3DP

Specifications are subject to change without Prior notice