

Signal Splitter / Signal Isolator

FEATURES

- 1-channel signal conditioner
- 12~30V DC supply (Power Rail)
- Input 2-wire and 3-wire transmitters and 2-wire current sources
- Signal splitter (1 input and 2 outputs)
- Dual output 4 ~ 20 mA (Channel II - 1~5V)

APPLICATION

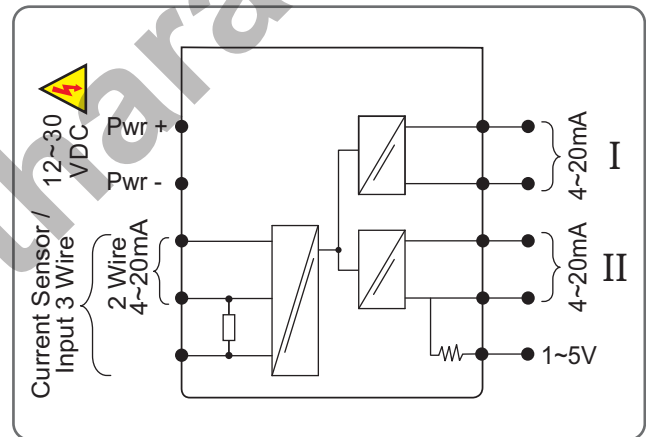
- This signal conditioner provides the isolation for non-intrinsically safe applications.
- The device supplies 2-wire and 3-wire transmitters, and can also be used with 2-wire current sources.
- It transfers the analog input signal as two isolated current values.
- Both outputs provide a 4 ~ 20mA current corresponding to the input signal.



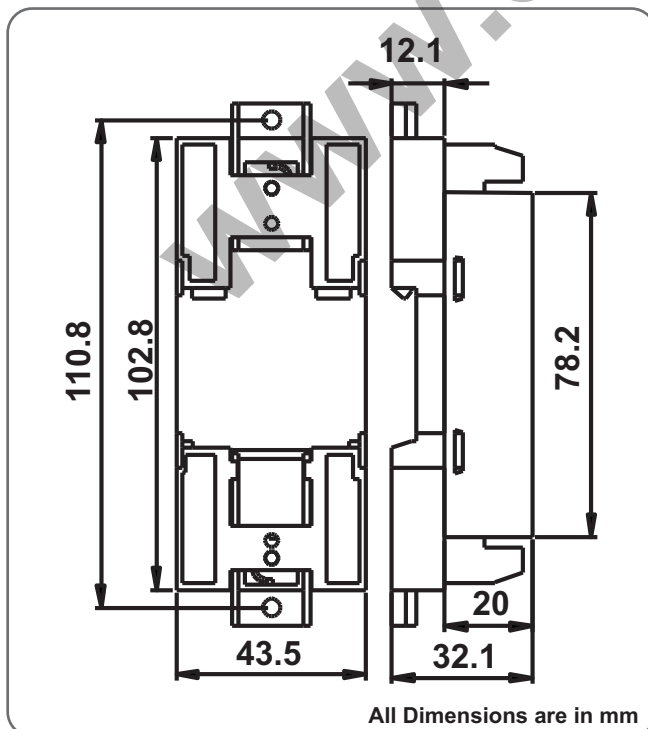
TECHNICAL SPECIFICATION

Model	Signal Splitter
Power	
Power Supply	12~30V DC
Input/Output	
Input	4~20 mA
Output 1 Channel	4~20 mA
Output 2 Channel	4~20 mA / 1~5V
Geometrical Characteristics	
Dimension	102.8 x 43.5 x 32.1
Material	ABS Polycarbonate

CONNECTION



DIMENSION DETAILS



Specifications are subject to change without Prior notice