

# SANKET - L SERIES

## LVDT SIGNAL CONDITIONER

Conditioning electronics SANKET - L can be connected to LVDT position transducer. SANKET - L are to be externally fed power supply, they feed power supply to connected transducer and condition its analog signal by giving an easy to calibrate amplified output.

### FEATURES

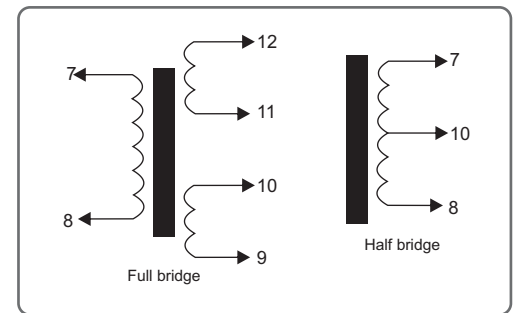
- Connected to LVDT (Half bridge & Full bridge type)
- SANKET - L feeds power supply to connected transducer and amplifies its signal.
- Easy to calibrate: by means of zero and gain trimmers.
- Compact: small dimensions allow many applications.

### TECHNICAL SPECIFICATION

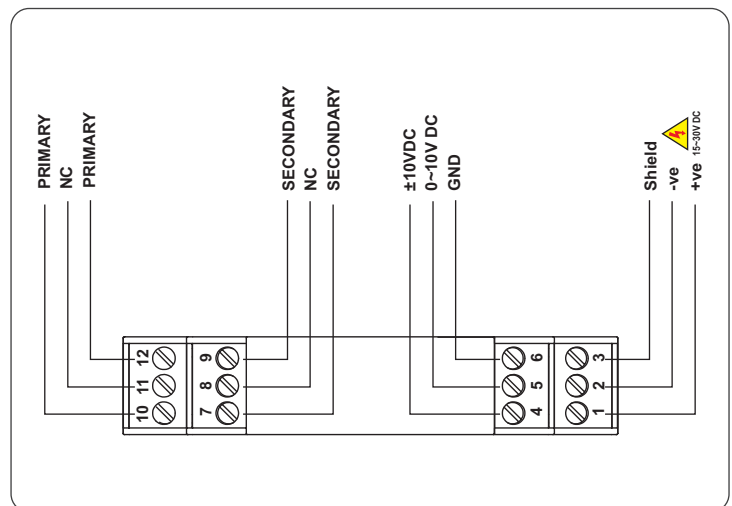
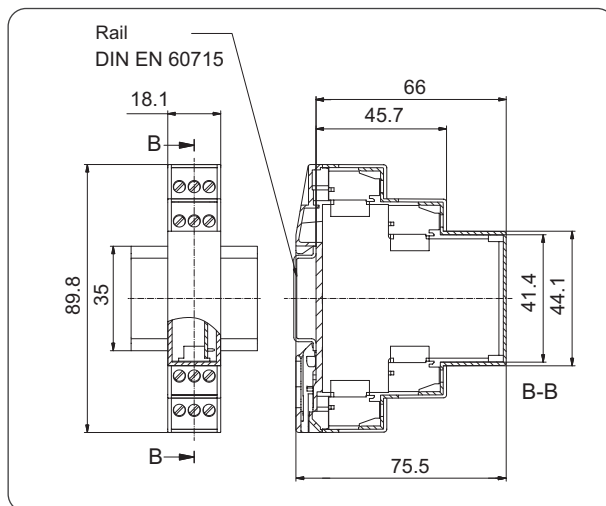
Model	SANKET - L
Power supply	24 Vdc filtered & stabilized
Zero regulation	20% F.S.
Gain regulation	1-1000 dB
Power supply to LVDT primary coil	0.3 to 15 Vac, 2.5KHz (sinusoidal wave)
Current drawn	60mA max. (depending on connected LVDT)
Working temperature	-40 upto +85°C
Output	0 to ±10 Vdc
Card power supply	10.5-28 Vdc filtered, stabilized
Input signal	15 Vac max (Full bridge & Half bridge type).
Ingress Protection	IP65



### ELECTRICAL CONNECTION



### DIMENSION DETAILS



### CALIBRATION:

SANKET - L can be used in many applications on automation machines, textile machines, research, machine tools, packaging machines, dosing machine, converting machines, on vehicles, agriculture machines, marble machines, profile checker, wheel run-out checking etc.

Specifications are subject to change without Prior notice