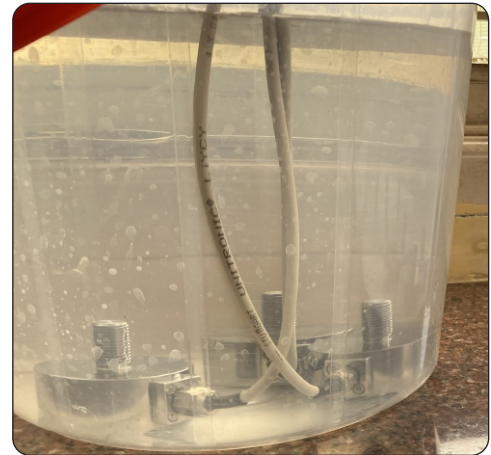
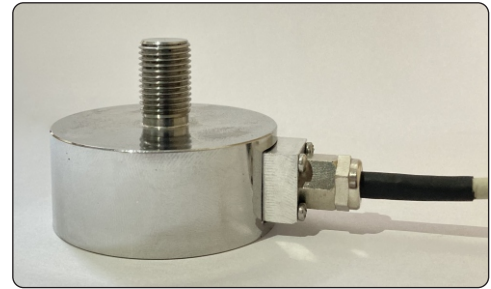


# Wave Force - WF

## FEATURES

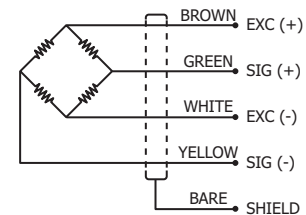
- Wave overtopping a sea dike may pose a threat to people and property. Study of the overtopping flow loads, require force sensors that can be used underwater but are sensitive to small load deflections. These load cells can be used for both compression / tension force measurement as per requirements in the use case.
- These load cells are extremely small and lightweight and has Protection Class IP68.



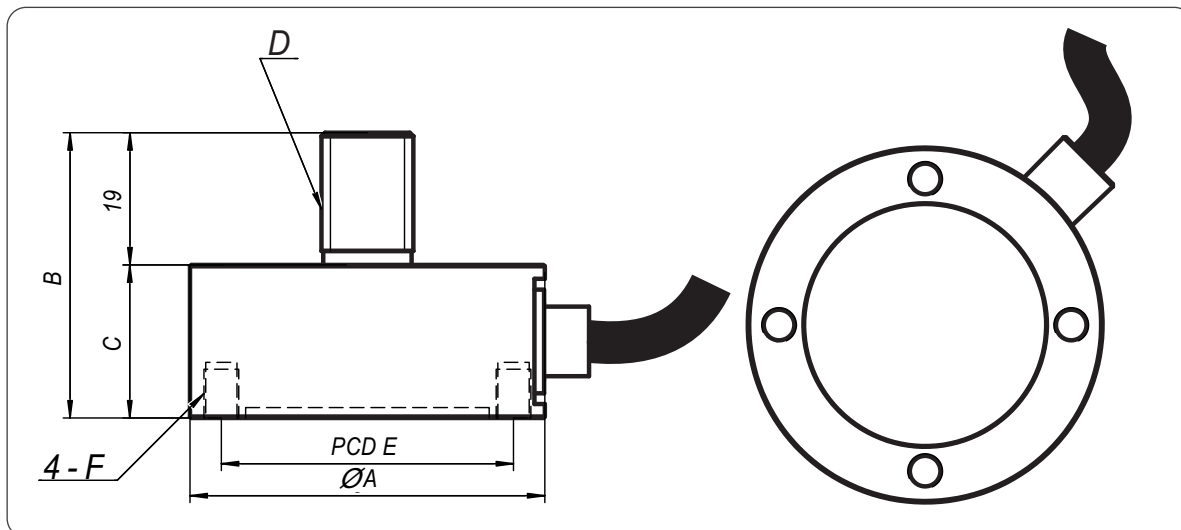
## TECHNICAL SPECIFICATION

Model	Wave Force
Rated capacity(R.C.)	2kN, 8kN
Rated output(R.O.)	2mV/V±0.4%
Nonlinearity	0.15% of R.C.
Hysteresis	0.1% of R.C.
Repeatability	0.05% of R.C.
Zero balance	±2% of R.O.
Temp. effect on rated output	±0.01% of LOAD/10°C
Temp. effect, on zero balance	0.05% of R.O./10°C
Temperature range, compensated	-10~70°C
Temperature range, safe	-10~80°C
Terminal resistance input	350Ω±30Ω
Terminal resistance output	350Ω±2Ω
Insulation resistance bridge/case	2000MΩ
Excitation recommended	10V (max. excitation 15V)
Safe overload	120% R.C..
Cable length	Ø5mm 4core, 10mtr

## WIRING INFORMATION



## DIMENSION DETAILS



## DIMENSION TABLE

Unit : mm

Capacity	A	B	C	D	E	F
2kN, 8kN	51	41	22	M12x1.25-DP8	42	M5

Specifications are subject to change without Prior notice