

Force Z Type - FZ

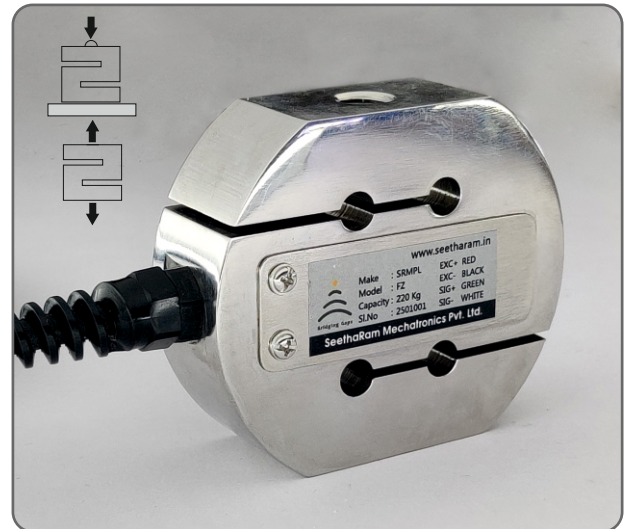
Z Type Load Cells

FEATURES

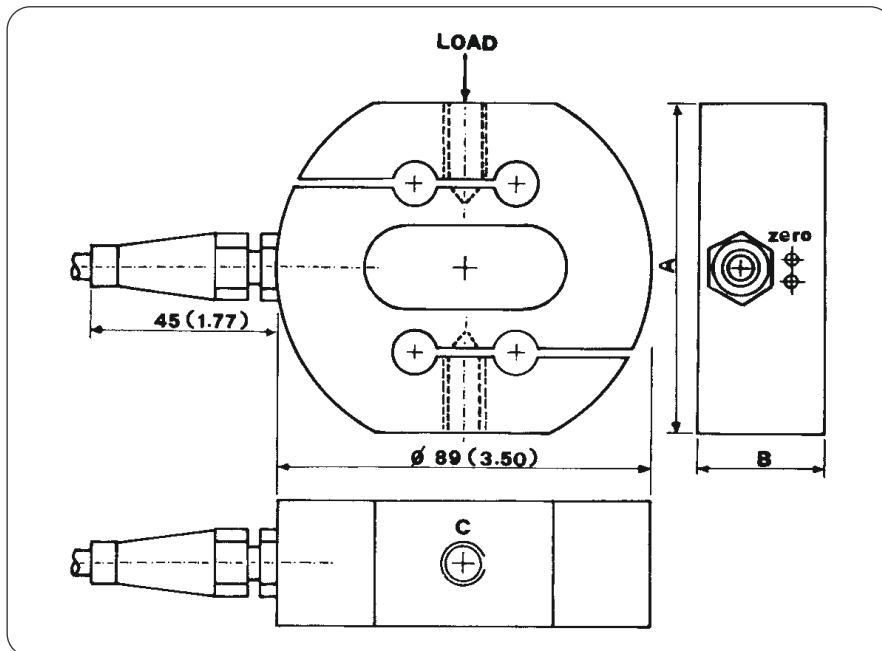
- Compact size.
- These are extremely accurate and compact Tension / Compression load cell.
- Protection Class IP65

TECHNICAL SPECIFICATION

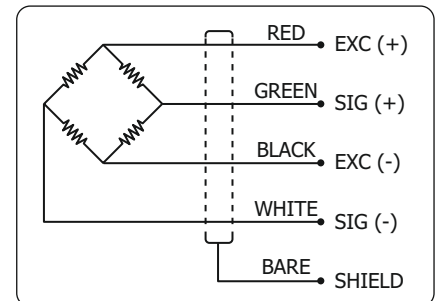
Model	FZ
Measuring ranges	220 Kg
Maximum error	< $\pm 0.046\%$
Sensitivity	2 m V/V
Repeatability	< $\pm 0.033\%$
Temperature effect on zero	< $\pm 0.046\%$
Zero unbalance	< $\pm 2\%$
Bridge impedance	350 Ω
Insulation resistance	>5000 M ohms
Excitation recommended	10 V DC/AC
Safe load	50 %
Temperature compensated	-10 ~ 40°C
Operating Temperature	-15 ~ 75°C



DIMENSION DETAILS



WIRING INFORMATION



DIMENSION TABLE

Unit : mm

Capacity	A	B	C
220 Kg	76	29	M12 x 1.75

Specifications are subject to change without Prior notice