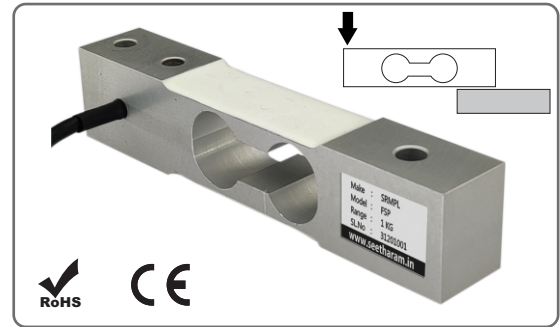


Force Single Point - FSP

Single Point Load cell

FEATURES

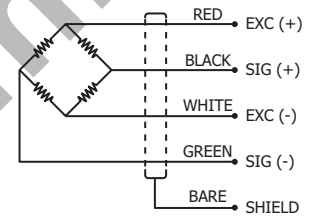
- This strain gage load cell has the characteristics of high accuracy and low price.
- Commercial & Engineering applications
- Protection Class IP65



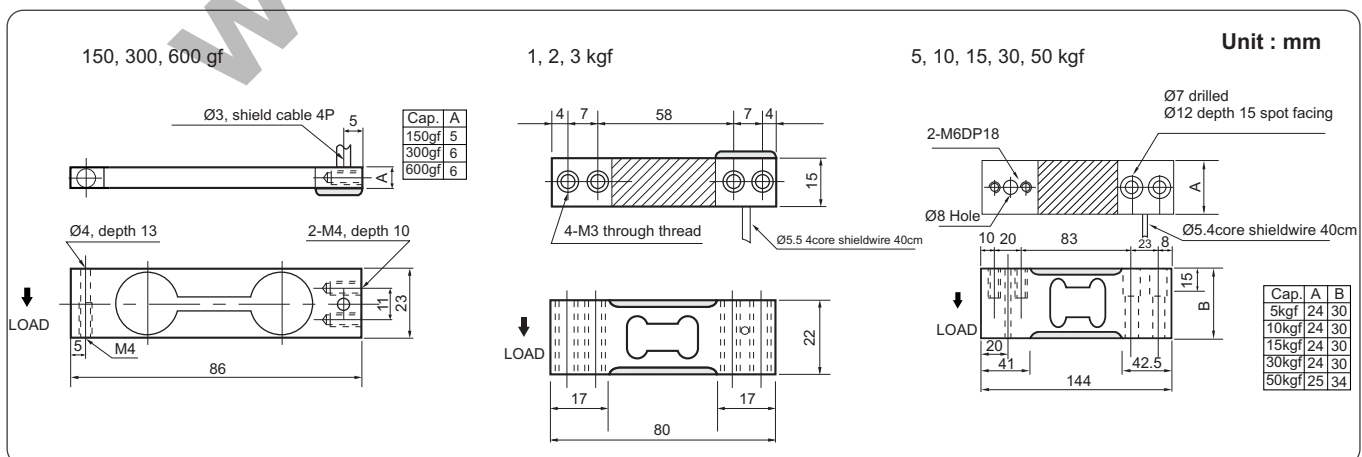
TECHNICAL SPECIFICATION

Model	FSP		
Rated capacity(R.C.)	150, 300, 600 gf	1, 2, 3 kgf	5, 10, 15, 30, 50 kgf
Rated output(R.O.)	1.2mV/V±1%	1mV/V±1%	1.5mV/V±1%
Nonlinearity	0.02% of R.O.		
Hysteresis	0.02% of R.O.		
Repeatability	0.02% of R.O.		
Creep	0.03% of R.O./20min	0.02% of R.O./20min	
Zero balance	±5% of R.O.		
Terminal resistance, input	420±30Ω		
Terminal resistance, output	350±2Ω		
Insulation resistance	2000MΩ		
Temp. range, compensated	0~+40°C	-10~+50°C	
Temp. range, safe	-10~+50°C		
Temp. effect, on zero balance	0.03% of R.O./10°C		
Temp. effect, on rated output	0.02% of LOAD/10°C		
Excitation recommended	10VDC (max. excitation 15V)		
Safe overload	150% R.C.		
Cable length	Ø3, core shield cable, 40cm		
Allow maximum platform size	Ø80	200 x 200mm	300 x 300mm
Weight	200g	300g	400g
Wiring information	Exc+:Red, Exc-:White, Sig+:Black, Sig-:Green		

WIRING INFORMATION



DIMENSION DETAILS



Specifications are subject to change without Prior notice