

# Force Shear Beam - FSB

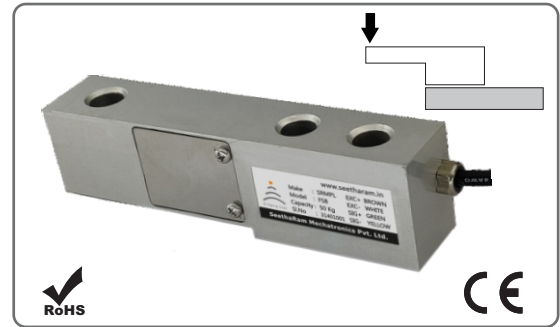
## Miniature Tension Load Cells

### FEATURES

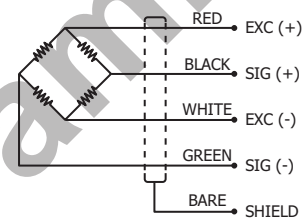
A compact and low cost, shear type compression load cell. Economic model shear type transducers with a high accuracy of 0.02% R.O. Platform and Tank scale weighing. Protection Class IP67

### TECHNICAL SPECIFICATION

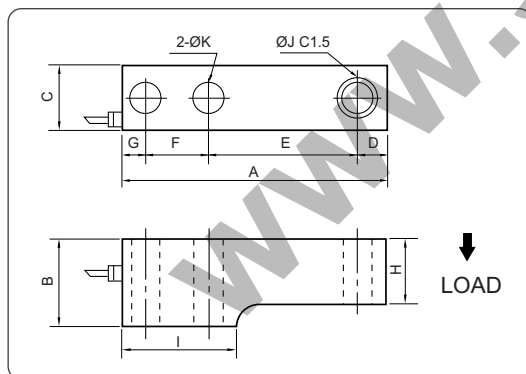
Model	FSB
Rated capacity(R.C.)	50,100,150,300,500kgf, 1,2,3,5,6,10,12tf
Rated output(R.O.)	2mV/V±0.1%
Nonlinearity	0.03% of R.O.
Hysteresis	0.02% of R.O.
Repeatability	0.02% of R.O.
Creep(20min)	0.03% of R.O.
Zero balance	±5% of R.O.
Temp. effect, on rated output	0.02% of LOAD/10°C
Temp. effect, on zero balance	0.05% of R.O./10°C
Temp. range, compensated	-10~50°C
Temp. range, safe	-20~80°C
Terminal resistance input	350±30Ω
Terminal resistance output	350±3Ω
Insulation resistance bridge	2000MΩ
Excitation recommended	10V (max. excitation 15V)
Safe overload	150% R.C.
Cable length	Ø5 ±0.3mm 4core, 3m



### WIRING INFORMATION



### DIMENSION DETAILS



### DIMENSION TABLE

Capacity	Unit : mm											Weight(kg)
	A	B	C	D	E	F	G	H	I	ØJ	ØK	
50kg ~ 300kg	135	36	26	17	75	25	18	32	58	11.5	11.5	0.5
500kg ~ 2tf	135	38	30	17	75	25	18	34	58	13.5	13.5	1.1
3tf ~ 5tf	170	48	38	20	85	50	15	39	79	18.5	18.5	2.3
6tf	203	48	50	23	95	62	23	39	110	24.5	24.5	3.5
10tf ~ 12tf	263	60	60	30	118	90	25	52	143	26	26	9

Specifications are subject to change without Prior notice