

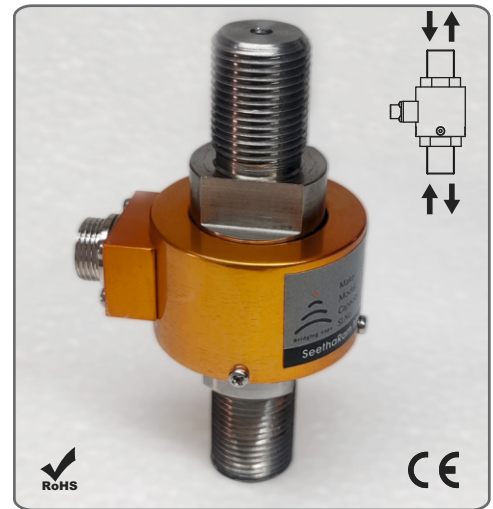
COLUMN TYPE LOAD CELLS

FEATURES

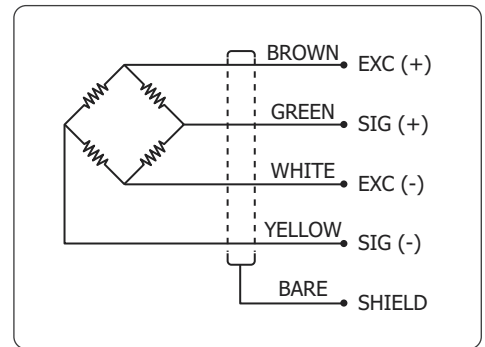
- Model FCL load cells have Male thread mounting and measure both tension & compression load force.
- Applications include Performance testers for Automotive industry, Assembly press

TECHNICAL SPECIFICATION

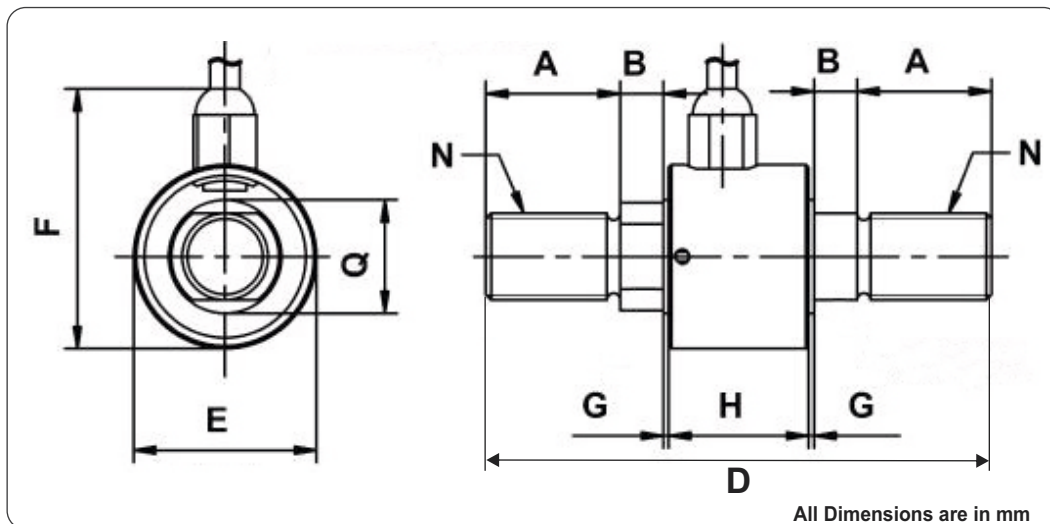
Model	FCL
Rated capacity(R.C.)	0.5tf, 1tf, 3tf, 5tf
Rated output(R.O.)	1mV/V
Nonlinearity	0.15% of R.O.
Hysteresis	0.15% of R.O.
Repeatability	0.1% of R.O.
Creep	0.05% of R.O.
Zero balance	±1% of R.O.
Excitation recommended	10V (max. excitation 15V)
Terminal resistance input , output	350Ω±1%
Insulation resistance bridge	2000MΩ
Temperature range, compensated	-10~60°C
Temperature range, safe	-20~80°C
Temp. effect on rated output	±0.01% of LOAD/10°C
Temp. effect, on zero balance	±0.02% of R.O./10°C
Safe overload	120% R.C..
Cable length	Ø5mm 4core, 3m



WIRING INFORMATION



DIMENSION DETAILS



DIMENSION TABLE

Unit : mm

Capacity	A	B	D	E	F	G	H	N	Q
0.5tf	16	7	74	38	40	0	28	M10x1	16
1tf	25	8	94	38	48	0	28	M16x1.5	20
3tf	25	8	94	38	48	0	28	M16x1.5	20
5tf	25	10	96	42	48	0/1	26	M18x1.5	24

Specifications are subject to change without Prior notice