

Economic series Indicator Controller with Wireless Remote Configuration

DESCRIPTION

The Koal Lite is a specialized indicator device used in combination with a potentiometric sensor for accurate distance measurement. It incorporates advanced technology and algorithms to precisely determine the distance between the sensor and the target object. By utilizing the potentiometric sensor's capabilities and the unique features of Koal Lite, it provides highly accurate and reliable distance measurements in various applications such as robotics, automation, and industrial positioning systems. With its exceptional performance and compatibility with potentiometric sensors, Koal Lite enhances distance sensing capabilities, enabling precise and efficient position control in diverse industries.



Sensor Types



Potentiometric Sensor

- Spring Loaded
- Rod Type
- Cursor Type
- Rotary Type

Features



LED Display



Calibration



Wireless Remote Configuration

Outputs



Relay Control



Current Retransmission



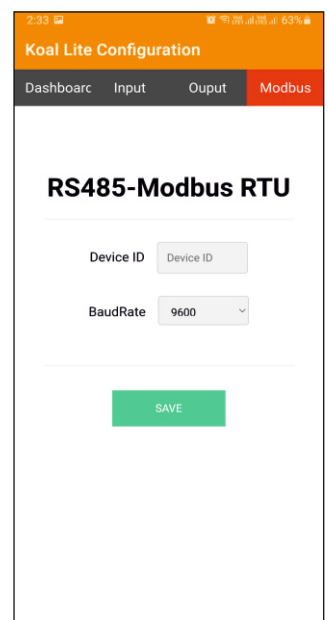
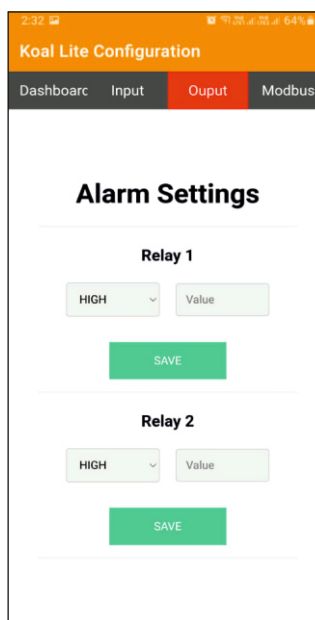
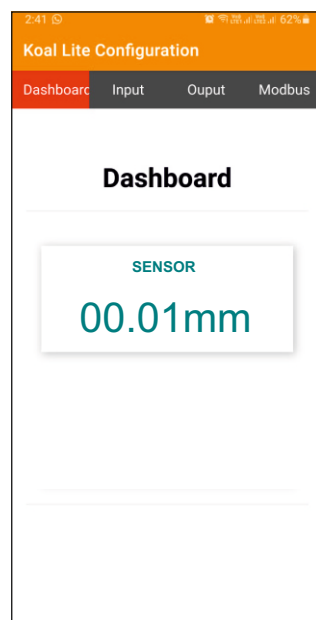
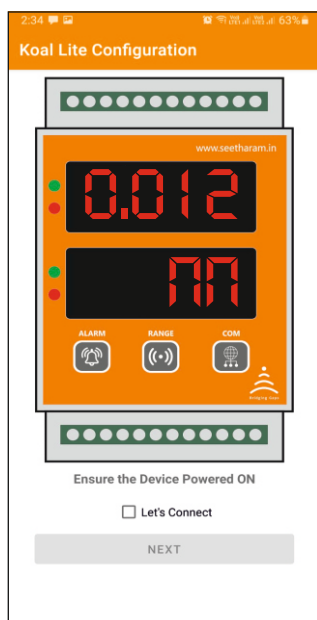
MODBUS RS485

TECHNICAL SPECIFICATION

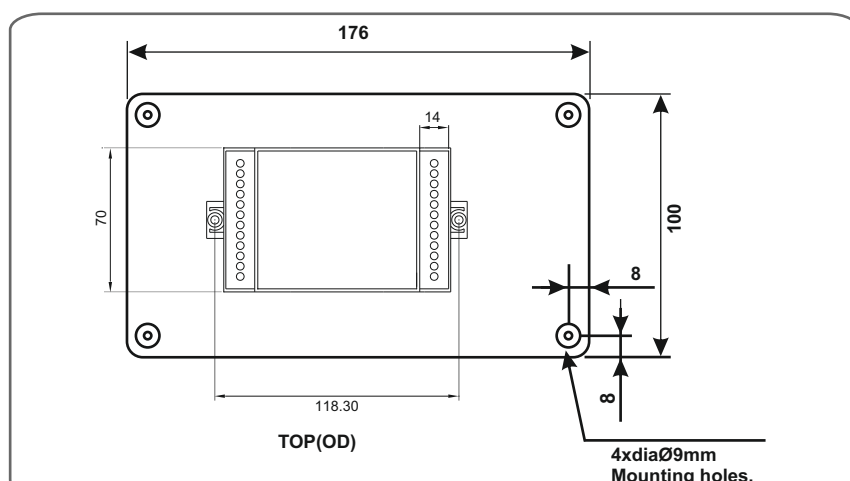
Model	Koal Lite - Potentiometer
Voltage Input Sensor	0~5 / 0~10V DC
Independent Resolution	16bit ADC
Least Count	X.X, X.XX, X.XXX, XXXX
Input Power Supply	80-230V AC
Mounting	DIN-Rail / Wall Surface
Enclosure	ABS Plastic

- ✦ Connect to potentiometric sensor
- ✦ Wide range power supply 80 to 230V AC
- ✦ 3Amps Relay contact

SCREENS



DIMENSION DETAILS



OTHER PRODUCTS



Vibes - RhT

Relay Output - Threshold
RH & Temperature