

## Economic series Indicator Controller with Wireless Remote Configuration

### DESCRIPTION

The Koal Lite is a specialized indicator device used in combination with a potentiometric sensor for accurate distance measurement. It incorporates advanced technology and algorithms to precisely determine the distance between the sensor and the target object. By utilizing the potentiometric sensor's capabilities and the unique features of Koal Lite, it provides highly accurate and reliable distance measurements in various applications such as robotics, automation, and industrial positioning systems. With its exceptional performance and compatibility with potentiometric sensors, Koal Lite enhances distance sensing capabilities, enabling precise and efficient position control in diverse industries.



### Sensor Types

- Current Input Sensor**  
(0~20 / 4~20mA)
- Flow Sensor**
- Pressure Sensor**
- Displacement Sensor**

### Features

- LED Display**
- Calibration**
- Wireless Remote Configuration**

### Outputs

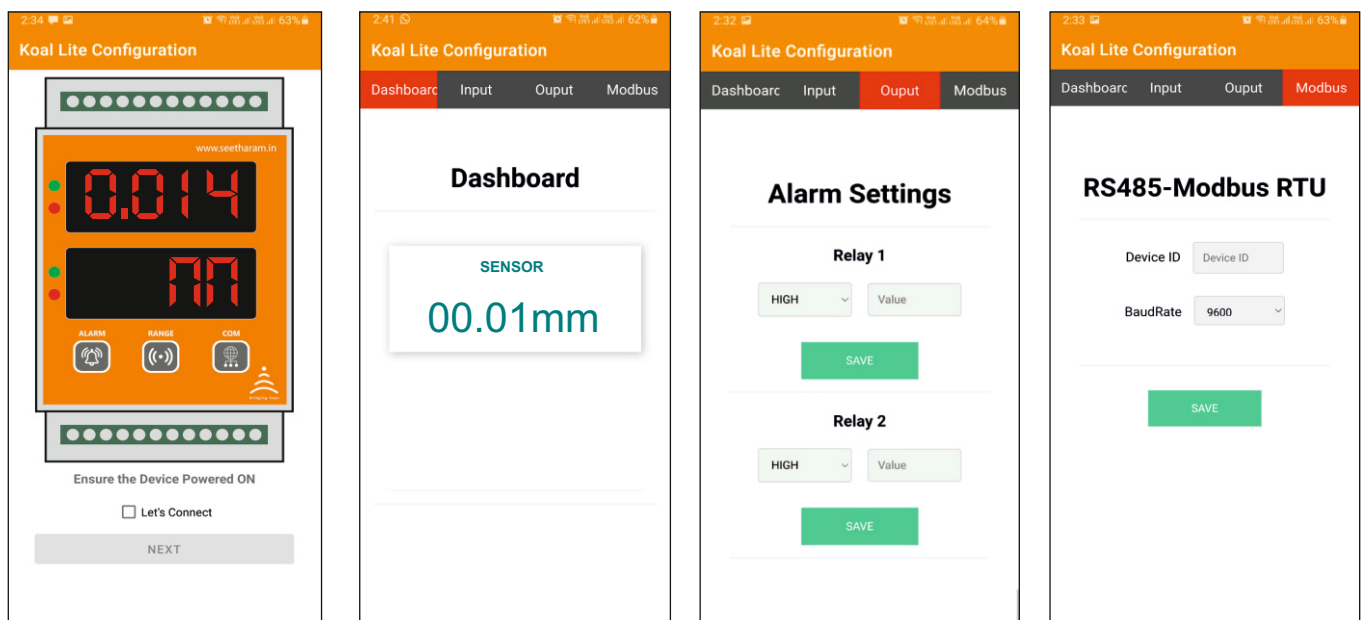
- Relay Control**
- Current Retransmission**
- MODBUS RS485**

### TECHNICAL SPECIFICATION

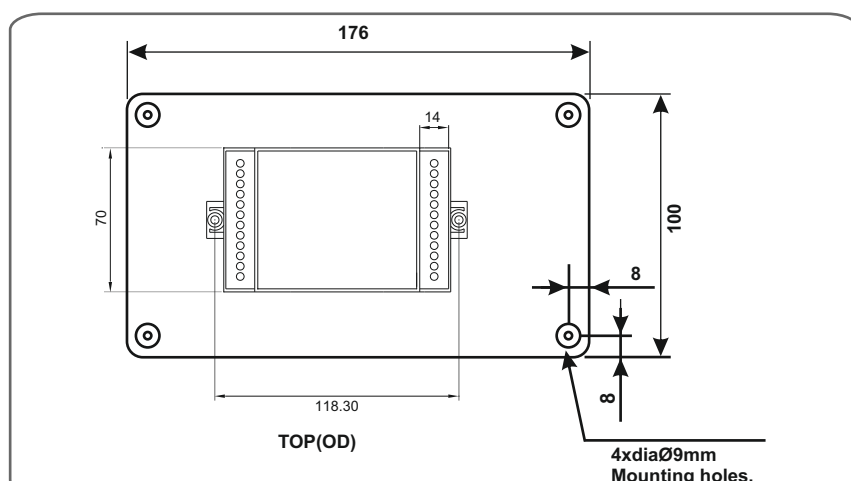
Model	Koal Lite - Analog Current Input
Current Input Sensor	0~20 / 4~20mA
Independent Resolution	16bit ADC
Least Count	X.X, X.XX, X.XXX, XXXX
Input Power Supply	80-230V AC
Mounting	DIN-Rail / Wall Surface
Enclosure	ABS Plastic

- + Connect to Analog sensor
- + Wide range power supply  
80 to 230V AC
- + 3Amps Relay contact

### SCREENS



### DIMENSION DETAILS



### OTHER PRODUCTS



**Vibes - RhT**  
Relay Output - Threshold  
RH & Temperature