

# GAMAN Series - Pulse

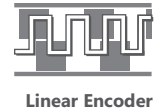
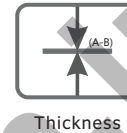
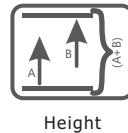
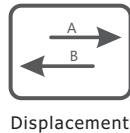
## Linear Displacement Probe - Pulse

The **GAMAN** series linear displacement pulsed probe is a spring loaded plunger type precision linear measurement sensor. Standard stroke length ranges are 25 and 50mm. It is a machined aluminum enclosure with smooth linear bearings for repeatable measurements. They have a wide range of applications in Production, Metrology, Multipoint Inspection Stations, Thickness / Stroke measuring equipment devices. The in-built electronics support interface with low cost PLCs, thus making precision measurement a low cost solution. Stand-alone indicators are also available as display for this sensor.



## FEATURES

- Standard 10mm diameter mounting stem
- Compact design
- Linear ranges from 25mm to 50mm
- 12µm resolution (option 3 & 5µm)
- 5 Pin circular locking connector
- RS485 communication output

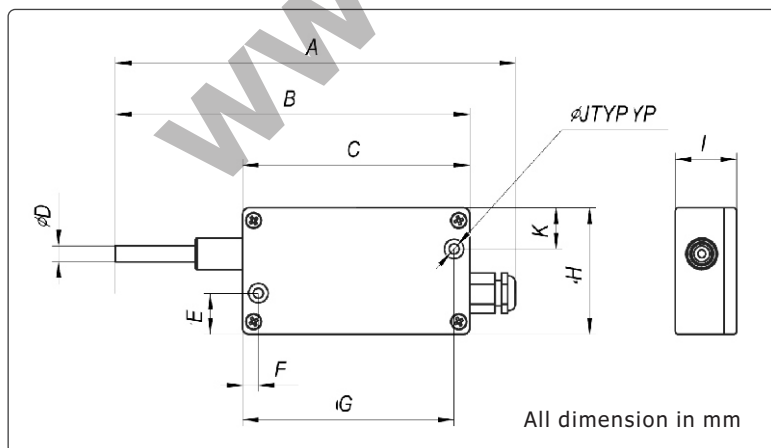


MECHANICAL DATA	
Resolution	12/6/3µm
Radial Force	1.66N
Fastening	Plane Surface
Operating Temperature	0-50°C
Protection	IP60
Weight without cable	350g
Mounting Screw	2-M3 x 0.5

ELECTRICAL DATA	
Power Supply	5VDC for TTL, 24VDC for MODBUS
Output	Default RS485 (MODBUS) Optional 5V TTL
Measuring Velocity	upto 15m/min
Electrical Connection	Cable 1.5m with free end wire Circular 5 Pin connector
Cable Length	1m

## DIMENSION DETAILS

25/50



## PIN CONFIGURATION

Free End Cable Wire	TTL Output	MODBUS Output
Brown	Power Supply +ve 5VDC	Power Supply +ve 24VDC
White	Power Supply -ve 0VDC	Power Supply -ve 0VDC
Green	A Signal	RS485 +ve
Yellow	B Signal	RS485 -ve
Grey	Index	GND

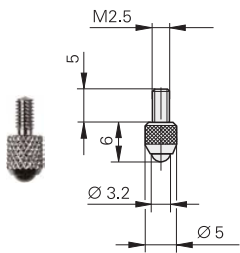
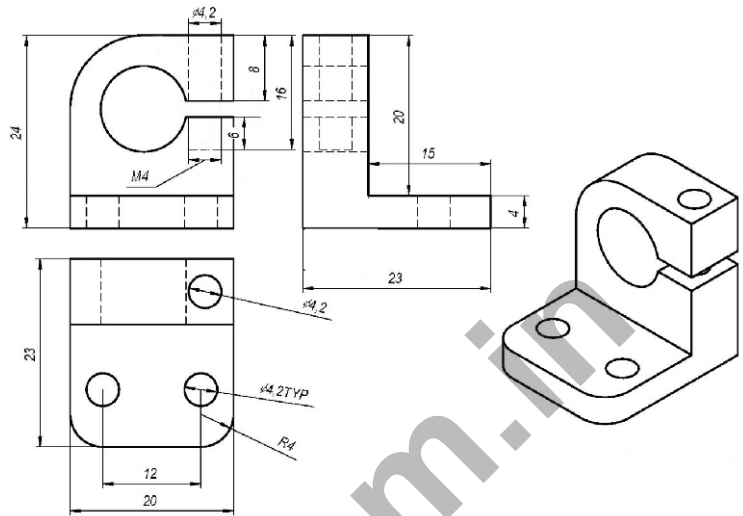
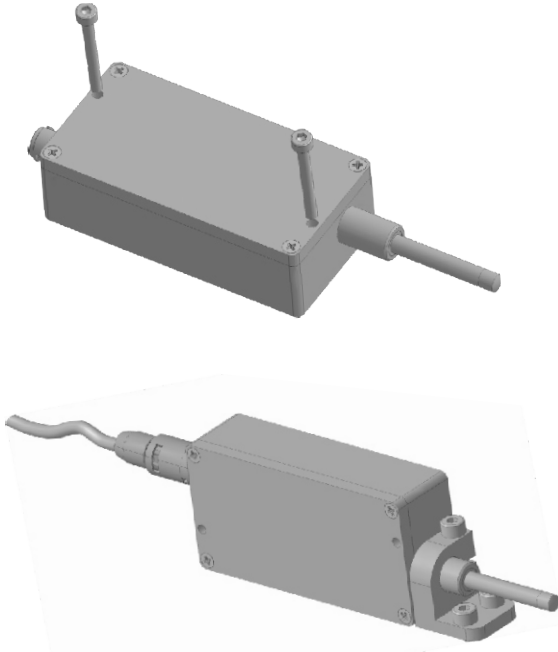
STROKE	A	B	C	ØD	E	F	G	H	I	ØJ	K
25	126.70	112.30	72.00	5.00	13.00	5.00	67.00	40.00	19.50	3.15	13.00
50	199.00	184.60	119.00	5.00	13.00	5.00	114.00	40.00	19.50	3.15	13.00

Specifications are subject to change without Prior notice

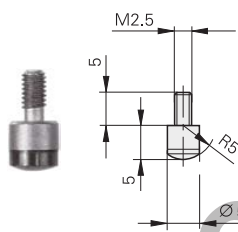
# GAMAN Series - Pulse

Linear Displacement Probe - Pulse

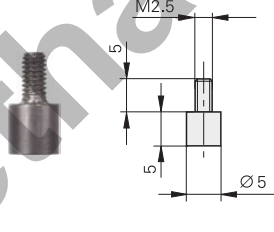
## MOUNTING CLAMP



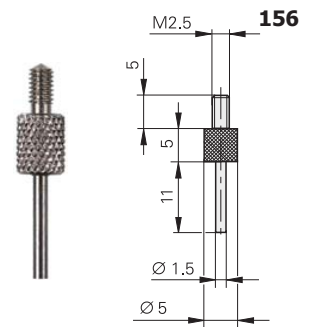
01



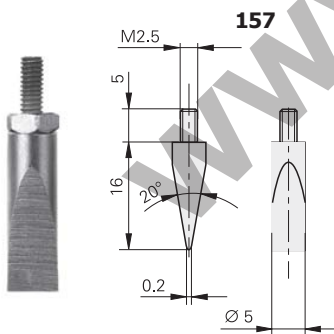
02



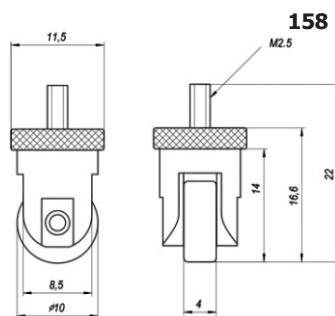
03



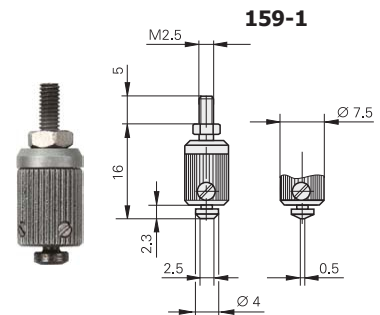
04



05



06



07

OPTIONAL ACCESSORIES	Ball Contact	Domed Contact	Flat Contact	Pin-Type Contact	Knife Edge Contact	Roller Contact	Adjustable Contact	Mounting Screws	Mounting Clamp
G.P 25/50	01	02	03	04	05	06	07	08	09

Specifications are subject to change without Prior notice

# GAMAN Series - Pulse

Linear Displacement Probe - Pulse

## ORDERING NUMBER

**GPM - Gaman Pulse MODBUS Output**

**GPI - Gaman Pulse INDICATOR Output**

**GPT - Gaman Pulse TTL Output**

GPM - [ ] - [ ] - [ ] - [ ]

STROKE  
25 = 25mm  
50 = 50mm

RESOLUTION  
3 = 3 $\mu$ m  
6 = 6 $\mu$ m  
12 = 12 $\mu$ m

TERMINATION  
F = CABLE  
C = CONNECTOR

**ACCESSORIES**  
BC = Ball Contact  
DC = Domed Contact  
FC = Flat Contact  
PT = Pin-Type Contact  
KE = Knife Edge Contact  
RC = Roller Contact  
AC = Adjustable Contact  
MS = Mounting Screws  
MC = Mounting Clamp