

# DWP - Draw Wire Potentiometer

## FEATURES

With relatively non-critical alignment requirements, compact size, and ease of installation wire rope actuated transducers are the linear position measurement system in many applications.

With a wide variety of electrical output, draw wire sensor provide an extremely cost effective method for linear position feedback.

## OTHER APPLICATIONS

- Linear Track Systems
- Injection Molding Machines
- Cat Scan Tables
- MRI Tables
- Liquid Level Measurement
- Gate Positioning
- Crash Testing
- Bone Densitometers
- Spray Painting Robots
- Railroad Track Laying Equipment



## VARIOUS IN-VEHICLE MONITORING APPLICATIONS

- Brake Position
- Suspension Flexure
- Throttle Position
- Steering Position
- Clutch Position
- Body Movement

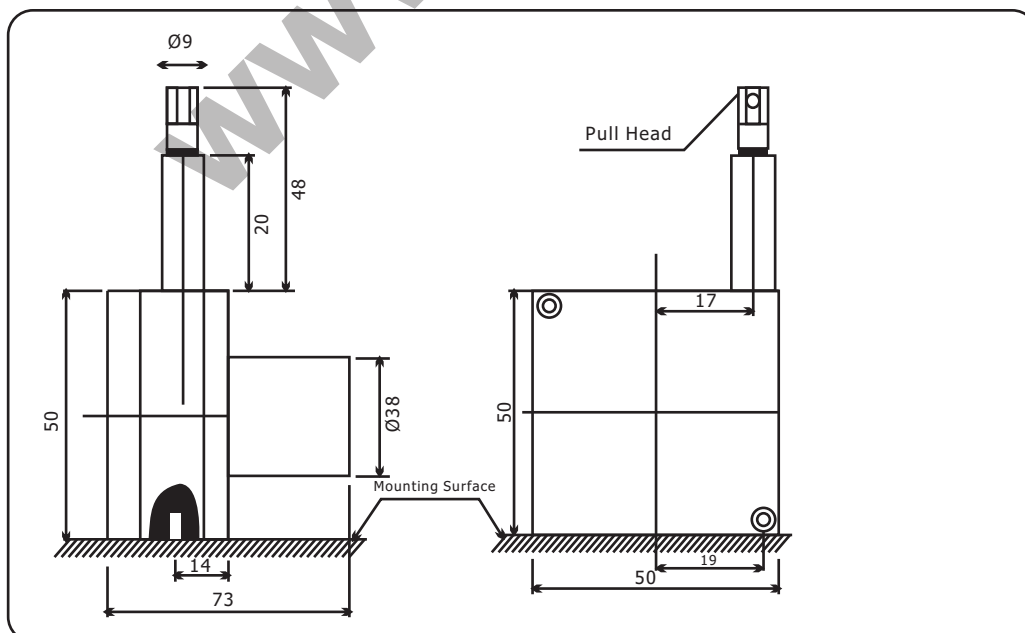
## TECHNICAL SPECIFICATION

| Electrical Specifications |                  |
|---------------------------|------------------|
| Sensor Element            | Potentiometer    |
| Electrical Connection     | Cable Radial, 1m |
| Output Model              | Ratiometric      |
| Resolution (mm)           | Infinite         |

| Environmental Specifications |                     |
|------------------------------|---------------------|
| Temperature Range            | -30°C.....90°C      |
| Vibration Resistance         | 10HZ.....1500HZ 10G |
| Protection Class             | IP54(Standard)      |
| Weight(kg)                   | 0.685               |

| Mechanical Specifications   |  |
|-----------------------------|--|
| Measuring Range             | 0.....500, 1000 mm                           |
| Housing                     | Aluminum alloy                               |
| Wire Rope                   | 0.6mm high flexible plastic coated wire rope |
| Wire retraction force (min) | appr. 1N                                     |
| Wire extension force (max)  | appr. 2.5N                                   |
| Linear Accuracy             | 0.1%-0.05%FS                                 |
| Repeatability Accuracy      | 0.01%  |
| Life                        | >10 million times                            |

## DIMENSIONS



**UNI-POT**



**KTA**

Specifications are subject to change without Prior notice