

BRAKE TEST LOGGER

Modern electronically controlled braking systems are extremely efficient and are very close to reaching the optimum braking distances for a given tyre and road surface. It is therefore essential that the measurement of braking distances can be carried out with very high distance accuracy.

FEATURES

- 7 Inch LCD capacitive color Touch screen- 4 channel data logger
- Visualization as Digits and Graphs
- Logging functions - Max. 400 samples/sec per channel
- Save values in CSV and graph in Png format.
- Comparison past data
- Soft trigger for logging functionality
- Battery backup
- Logged data manage
- Individual sensor calibration with user selectable units and decimal values
- Data can be exported to pen drive.

Key Features

- GPS based measurement of speed and distance
- Easy to fit, simple to use
- Pedal force and travel sensor inputs via analogue
- Live and logged results
- Customizable tests
- Multiple brake temperature logging using thermocouple inputs.

Measured Parameters

- Trigger speed
- Result statistics
- Braking distance
- Brake temperatures (TCM109 module required)
- MFDD
- Pedal force and travel sensors

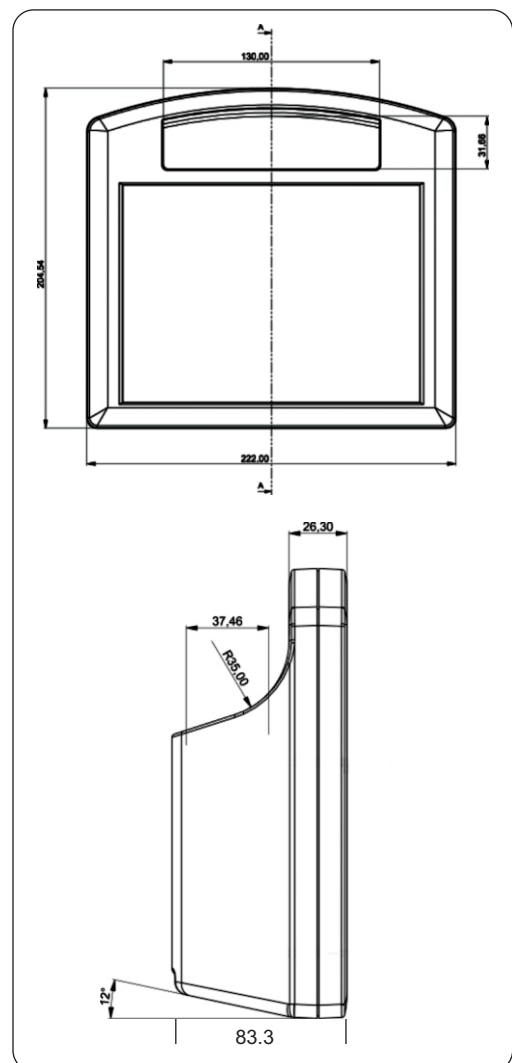
TECHNICAL SPECIFICATION

Model	Brake Test Logger
Power supply	12-19VDC
Current consumption	2A
Display	7 Inch LCD capacitive color Touch screen
Sensor power supply output	12VDC
Basic communication interfaces	External storage drive
Sampling Intervals	1, 100 & 400 sample/s/ch
Counter inputs	5V TTL
Optional input module	1 k-type thermocouple input
Ingress protection (IP)	40
Housing type	Carry case
Housing material	ASA+PC (UL 94 V-0)
Housing dimension (WHD)	222 x 205 x 80
Operating temperature	0-55
Storage temperature	-10-85
Battery backup	30min
Weight	1.2kg

Specifications are subject to change without notice



DIMENSION DETAILS



BRAKE TEST LOGGER

Screen Shots

Home Screen

The Home Screen displays system information at the top: 06-10-2016, Memory Status (143.7 GB), No Pendrive Connected, and 14:39:32. The main area features the SeethaRam Mechatronics Pvt. Ltd. logo and tagline "Bridging Gaps in Technology" alongside the "Sangrah" logo. A vertical menu on the left includes Home, Setup, Visuals, Database, Help, and Power. The main content area contains six large icons: Sensors, Visualisation, Database, Device Info, and Power.

Visuals

The Visuals screen shows a real-time graph of sensor values for filename "D30". The graph plots Sensor Values (0 to 20) against Time (13:25:26 to 13:25:35). The graph shows four channels (Ch 1, Ch 2, Ch 3, Ch 4) with values increasing over time. A "Soft Trigger" is currently set to "OFF". The "Stop No." is displayed as 7.92. The "Indicator" shows 2472.958. The "Events" section shows RT Graphs, Indicator, and Events. The bottom navigation bar includes Home, Setup, Visuals, Database, Help, and Power. At the bottom, there are three icons: a magnifying glass, a play button, and a trash can.

Specifications are subject to change without notice

www.seetharam.in

